

DP50DST Dolly-Style Powermate

15 kVA Step-Down, Power Distribution Panel

- 480V to 208/120V model
- 480/600V to 208/120V model

Mounted in a Heavy Duty Industrial Tilt and Roll Cage with Forklift Pockets and Lifting Eyes

Primary Side

- Cord Grip Input (Sized for 4/4 Type W) Back Side
- 2 x 60A 600V Crouse Hinds AR642 Receptacles
- 2 x 60A 600V 3P Circuit Breakers
- 30A 3P Primary Side Transformer Circuit Breaker

Secondary Side

- 1 x 50A 3P 240V Secondary Side Transformer Circuit Breaker
- 2 x 50A 125/250V Cali Style Receptacles (HBL7770)
- 2 x 50A 240V 2P GFCI Circuit Breakers
- 10 x 20A 120V Duplex Receptacles (HBL5206W0)
- 10 x 20A 240V 1P GFCI Circuit Breakers

Features

- All Aluminum Construction Enclosure
- Steel Construction Dolly
- Lift Eye and Fork Pockets
- Cage: Hammer Black
- Panel: Silver
- Transformer Skin: Silver
- Weight: 550 lb

Cage Dimensions

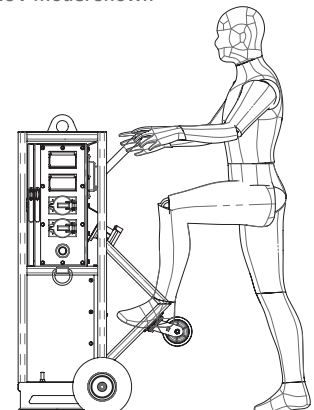
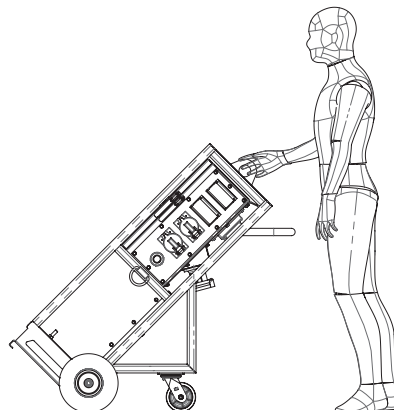
- H x W x D = 51.25" x 33.75" x 25.88"
- H = Includes Lift Eye
- W = Depth of Caster Support while Transformer stands upright
- D = Includes Wheels

Applications

- Construction
- Shipyards
- Steel Fabrication
- Refineries
- Process Plants



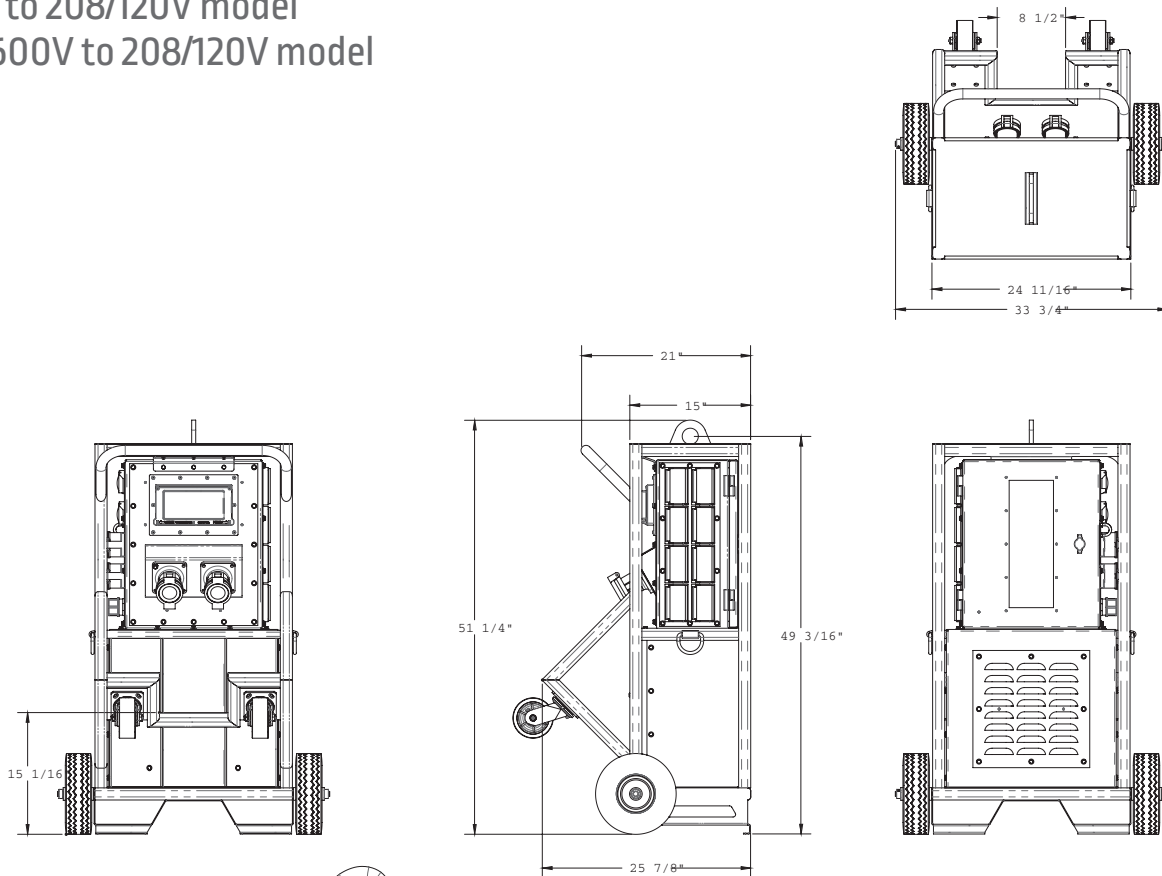
480V to 208/120V model shown



DP50DST Dolly-Style Powermate

15 kVA Step-Down, Power Distribution Panel

- 480V to 208/120V model
- 480/600V to 208/120V model



480V to 208/120V model shown

