

## RDA FHVP0.25 CE Positioner

0.25 tonne capacity

Red-D-Arc's RDA FHVP0.25 CE positioners provide 360° rotation of a work piece along with 135° forward tilt to better position weldments for better down-hand or automatic welding. All-fabricated steel frames and bases support rotation and tilt spur-gears driven by worm-gear reducers to provide enhanced safety and durability. Powered rotation is controlled via push-button pendant for controlling variable-speed table rotation, and forward/stop/reverse table direction/emergency-stop controls. Rotation motors are inverter-controlled variable-frequency AC-type, providing a full range of variable-speed control with excellent speed-regulation. Red-D-Arc welding positioners are engineered to provide maximum safety and dependability; control boxes have IP65-rated enclosures with full UL and CE certification and all of our positioners have been tested and certified by UL to establish safe working loads - a first in the weld automation industry.



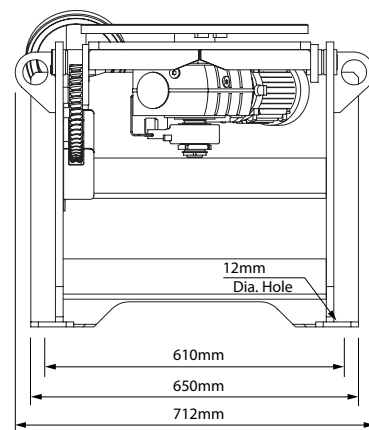
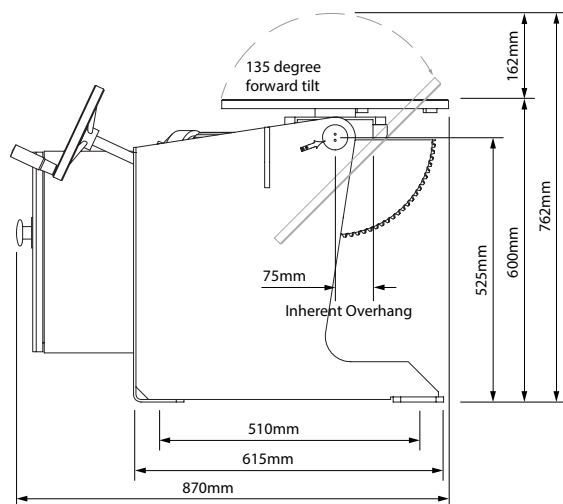
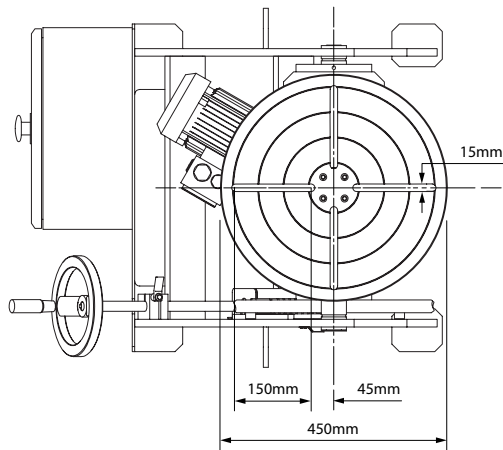
### Specifications

Model	RDA FHVP0.25 CE
Capacity	0.25 tonne at 75 mm C of G and 75 mm eccentricity
Rotation Speed	0.1 - 3 RPM
Rotation Motor	0.25 kW inverter-controlled variable-frequency AC-type
Rotation Torque	184 Nm
Tilt	135° manual forward tilt
Table Height (Horizontal)	600 mm
Table Diameter	450 mm round with four 15 mm slots
Control	Push button pendant, 10 m control cable
Control Functions	Forward/stop/reverse/speed control/emergency stop
Input Current at Rated Load	2.7 A
Ground Capacity	300 A
Weight	200 kg
Control Box Ingress Protection Rating	IP65
Control Box Electrical Certification	UL508
Loading Capacity Certification	UL2011

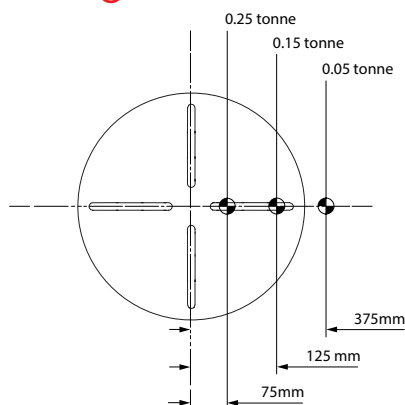
Red-D-Arc **Welderentals** rents and sells welding and weld-positioning equipment - around the world.

RDA FHVP0.25 CE Positioner

0.25 tonne capacity



Rotating



Load (tonne)	Eccentricity (mm)
0.25	75
0.2	95
0.15	125
0.1	185
0.05	375

**+44 (0) 1744 850085**

**0800 917 1149**